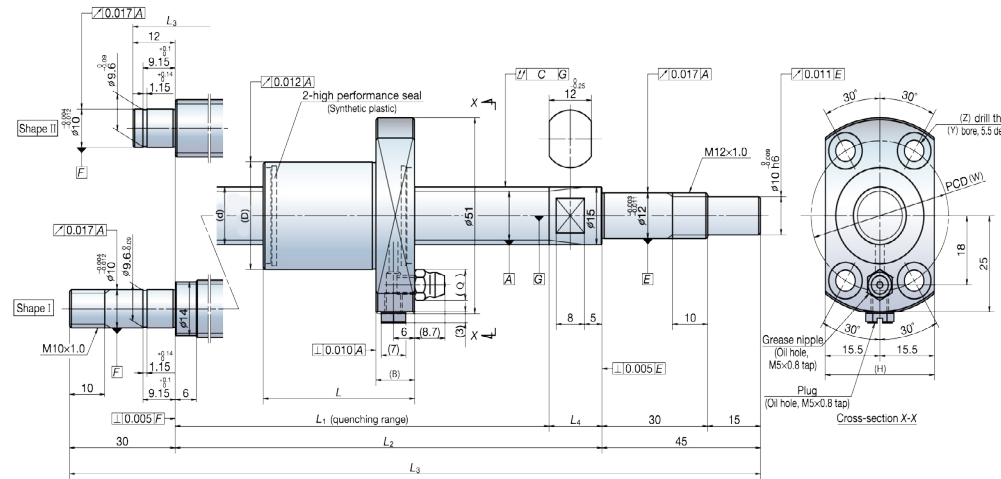


NSK-CFA15 - Ball Screws

L011184

DIMENSIONS



*Available in Right Helix only.

*Available in Shape I or II

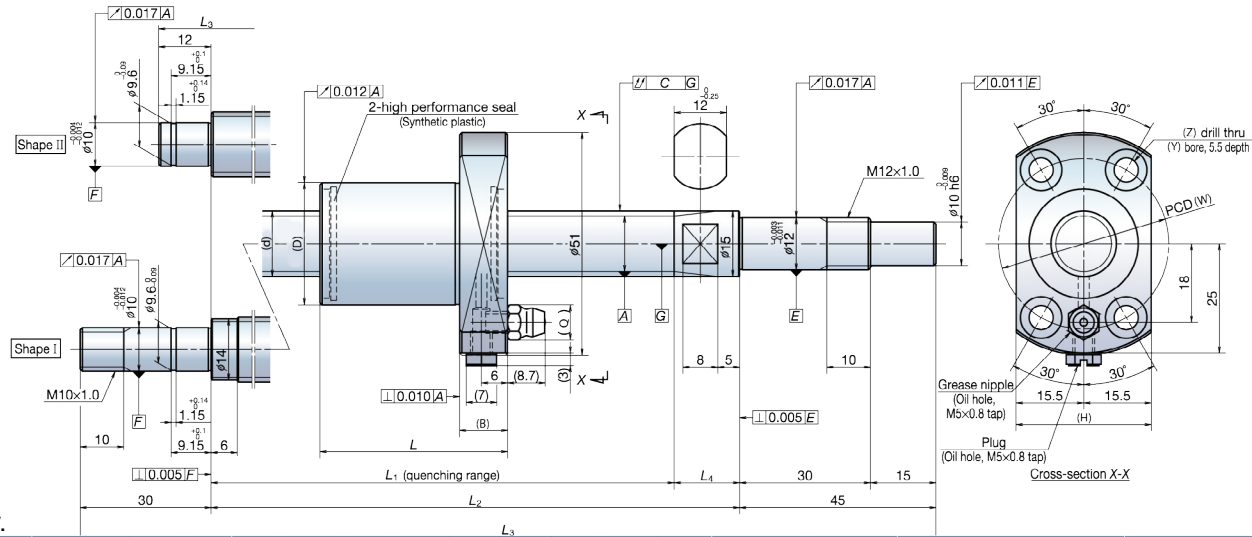
SPECIFICATIONS

Item	Screw Dimensions (mm)			Nut Dimensions (mm)								Force Dimensions (Kgf)		Permissible Rotational Speed (min ⁻¹)	Shaft Runout C	Stroke		Left Shaft End	
	Screw Length	d	l	D	A	B	L	W	H	Y	Z	Q	Ca			Coa	Fixed-Simple		Nominal
BSC-NSK-CFAR-015-05-GC5-P1-211	211	15	5	28	51	11	30	39	31	9.5	5.5	8.1	557	1040	5000	0.035	50	109	
BSC-NSK-CFAR-015-05-GC5-P1-261	261	15	5	28	51	11	30	39	31	9.5	5.5	8.1	557	1040	5000	0.035	100	159	
BSC-NSK-CFAR-015-05-GC5-P1-361	361	15	5	28	51	11	30	39	31	9.5	5.5	8.1	557	1040	5000	0.045	200	259	
BSC-NSK-CFAR-015-05-GC5-P1-461	461	15	5	28	51	11	30	39	31	9.5	5.5	8.1	557	1040	5000	0.050	300	359	
BSC-NSK-CFAR-015-05-GC5-P1-561	561	15	5	28	51	11	30	39	31	9.5	5.5	8.1	557	1040	5000	0.060	400	459	
BSC-NSK-CFAR-015-05-GC5-P1-661	661	15	5	28	51	11	30	39	31	9.5	5.5	8.1	557	1040	5000	0.075	500	559	
BSC-NSK-CFAR-015-05-GC5-P1-761	761	15	10	28	51	11	30	39	31	9.5	5.5	8.1	557	1040	3600	0.075	600	659	Shape II
BSC-NSK-CFAR-015-10-GC5-P1-261	261	15	10	28	51	11	43	39	31	9.5	5.5	8.1	557	1040	5000	0.035	100	146	
BSC-NSK-CFAR-015-10-GC5-P1-361	361	15	10	28	51	11	43	39	31	9.5	5.5	8.1	557	1040	5000	0.045	200	246	
BSC-NSK-CFAR-015-10-GC5-P1-461	461	15	10	28	51	11	43	39	31	9.5	5.5	8.1	557	1040	5000	0.050	300	346	
BSC-NSK-CFAR-015-10-GC5-P1-561	561	15	10	28	51	11	43	39	31	9.5	5.5	8.1	557	1040	5000	0.060	400	446	
BSC-NSK-CFAR-015-10-GC5-P1-661	661	15	10	28	51	11	43	39	31	9.5	5.5	8.1	557	1040	5000	0.075	500	546	
BSC-NSK-CFAR-015-10-GC5-P1-761	761	15	10	28	51	11	43	39	31	9.5	5.5	8.1	557	1040	3600	0.075	600	646	
BSC-NSK-CFAR-015-10-GC5-P1-879	879	15	10	28	51	11	43	39	31	9.5	5.5	8.1	557	1040	2700	0.095	700	746	
BSC-NSK-CFAR-015-10-GC5-P1-979	979	15	10	28	51	11	43	39	31	9.5	5.5	8.1	557	1040	2200	0.095	800	846	Shape I
BSC-NSK-CFAR-015-10-GC5-P1-1179	1179	15	10	28	51	11	43	39	31	9.5	5.5	8.1	557	1040	1400	0.120	1000	1046	

*PLEASE NOTE - Each standard ball screw includes **one** nut. Additional nuts will be considered a custom request, and will require creation of a special part number.

NSK-CFA15 - Ball Screws

DIMENSIONS



*Available in Right Helix only.

SPECIFICATIONS

Item	Screw Dimensions (mm)			Nut Dimensions (mm)									Force Dimensions (Kgf)		Permissible Rotational Speed (min ⁻¹)	Shaft Runout C	Stroke		Left Shaft End
	Screw Length	d	l	D	A	B	L	W	H	Y	Z	Q	Ca	Coa	Fixed-Simple		Nominal	Max	
BSC-NSK-CFAR-15-20-GC5-P1-261	261	15	20	32	55	11	51	43	33	9.5	5.5	8.1	517	890	5000	0.035	100	135	Shape II
BSC-NSK-CFAR-15-20-GC5-P1-361	361	15	20	32	55	11	51	43	33	9.5	5.5	8.1	517	890	5000	0.045	200	235	
BSC-NSK-CFAR-15-20-GC5-P1-461	461	15	20	32	55	11	51	43	33	9.5	5.5	8.1	517	890	5000	0.050	300	335	
BSC-NSK-CFAR-15-20-GC5-P1-561	561	15	20	32	55	11	51	43	33	9.5	5.5	8.1	517	890	5000	0.060	400	435	
BSC-NSK-CFAR-15-20-GC5-P1-661	661	15	20	32	55	11	51	43	33	9.5	5.5	8.1	517	890	5000	0.075	500	535	
BSC-NSK-CFAR-15-20-GC5-P1-761	761	15	20	32	55	11	51	43	33	9.5	5.5	8.1	517	890	3700	0.075	600	635	
BSC-NSK-CFAR-15-20-GC5-P1-879	879	15	20	32	55	11	51	43	33	9.5	5.5	8.1	517	890	2900	0.095	700	735	Shape I
BSC-NSK-CFAR-15-20-GC5-P1-979	979	15	20	32	55	11	51	43	33	9.5	5.5	8.1	517	890	2200	0.095	800	835	
BSC-NSK-CFAR-15-20-GC5-P1-1179	1179	15	20	32	55	11	51	43	33	9.5	5.5	8.1	517	890	1500	0.120	1000	1035	
BSC-NSK-CFAR-15-30-GC5-P1-311	311	15	30	32	55	11	71	43	33	9.5	5.5	8.1	517	890	5000	0.035	100	159	Shape II
BSC-NSK-CFAR-15-30-GC5-P1-411	411	15	30	32	55	11	71	43	33	9.5	5.5	8.1	517	890	5000	0.050	200	259	
BSC-NSK-CFAR-15-30-GC5-P1-511	511	15	30	32	55	11	71	43	33	9.5	5.5	8.1	517	890	5000	0.060	300	359	
BSC-NSK-CFAR-15-30-GC5-P1-611	611	15	30	32	55	11	71	43	33	9.5	5.5	8.1	517	890	5000	0.060	400	459	
BSC-NSK-CFAR-15-30-GC5-P1-711	711	15	30	32	55	11	71	43	33	9.5	5.5	8.1	517	890	4500	0.075	500	559	
BSC-NSK-CFAR-15-30-GC5-P1-811	811	15	30	32	55	11	71	43	33	9.5	5.5	8.1	517	890	3300	0.095	600	659	
BSC-NSK-CFAR-15-30-GC5-P1-929	929	15	30	32	55	11	71	43	33	9.5	5.5	8.1	517	890	2600	0.095	700	759	Shape I
BSC-NSK-CFAR-15-30-GC5-P1-1029	1029	15	30	32	55	11	71	43	33	9.5	5.5	8.1	517	890	2000	0.120	800	859	
BSC-NSK-CFAR-15-30-GC5-P1-1229	1229	15	30	32	55	11	71	43	33	9.5	5.5	8.1	517	890	1400	0.120	1000	1059	